

G-LED

G-50-RYG-M12 (B)

Introduction:

1. Hemispheric design, elegant appearance..
2. Aluminum body with PC cover makes it sturdy and durable.
3. Three colors on a single layer, easy to distinguish different signals.
4. Easy to install.

Application: CNC machine, Automatic equipment, SMT equipment etc, Production line.

Warranty: 2 years

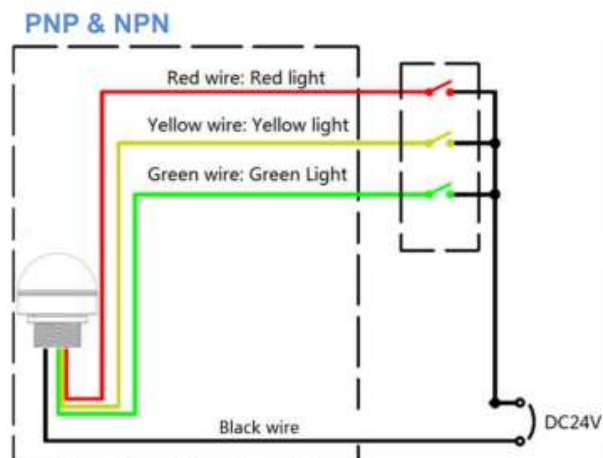
Certification: CE, RoHS, FCC



Parameter:

Full Power	3W
Input voltage	DC24V
Input current	30 to 50mA for each color
Working Temperature	-20~45 ℃
IP rating	IP65(No buzzer) IP30(Buzzer type)
Material	Aluminum body and PC cover
Lifetime	50,000 hours
Installation	Fixed by thread

Wiring instruction:



Dimension(mm):

